



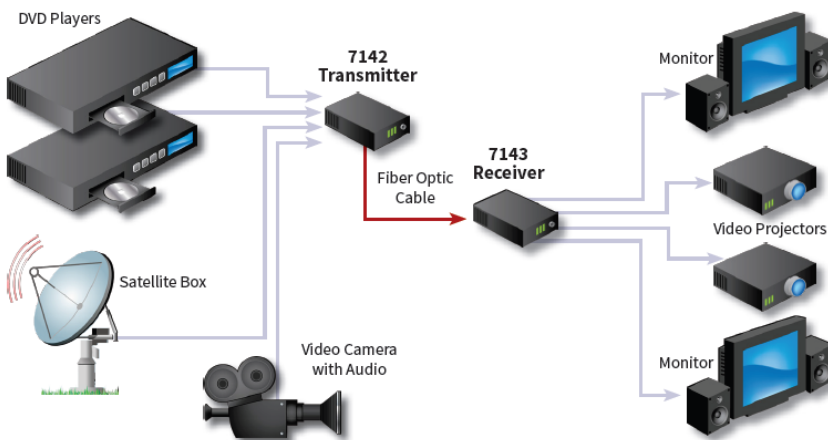
Fiberlink 7142 - Video & Audio Series



Four uncompressed video channels and eight independent audio channels all transmitted digitally over a single fiber

The Fiberlink 7142 Series digitally transmits four uncompressed video channels and eight independent audio channels over one multimode or single mode fiber at 1310 nm. Video channel is compatible with NTSC, PAL or SECAM video standards.

Audio channels may be configured independently by the user to have either balanced or unbalanced inputs and outputs.



FEATURES

4 Video Channels and 8 Audio Channels over Fiber

Ideal for multi-camera classrooms, distance learning / videoconferencing broadcast

Transmits over multimode or single mode fiber at 1310 nm

No adjustments; pure digital processing and transmission

7 MHz video bandwidth

Video channel is compatible with NTSC, PAL or SECAM video standards

18-bit audio sampling; 20 Hz to 20 kHz audio bandwidth

Audio channels may be configured independently by the user to have either balanced or unbalanced inputs and outputs

Indicator LEDs monitor video signals, audio signals and power

Universal input internal power supply

Compatible with Fiberlink Matrix & Fiberlink 8200 Series

Unit stands 1 RU high-Rackmount ears are included

Fiberlink 7142 - Video & Audio Series

SPECIFICATIONS

Video Specifications

Number of channels	4
Video Bandwidth (per channel)	7 MHz (-3 dB)
Input/Output Impedance	75 Ohms
Normal Input/Output Voltage	1V p-p nom., 1.1V p-p max.
Differential Gain	1%
Differential Phase	0.5 degree typical
Signal-to-Noise Ratio	62 dB CCIR weighted typical
Video Connectors	BNC

Audio Specifications

Number of channels	8, balanced or unbalanced
Frequency Response (per channel)	20 Hz to 20 kHz (-3 dB)
Input Impedance	600 Ohms terminated; >24 k Ohms unterminated
Output Impedance	50 Ohms
Normal Input/Output Voltage	0 dBu nom., +10 dBu max.
Signal-to-Noise Ratio	85 dB
THD+N	0.1% typical
Audio Connectors	Screw terminal block
Switches	Dip switches to select input termination, balanced or unbalanced input/output. Selectable on a per-channel basis

General Specifications

LED Indicators	Power; Video Present (per channel); Audio Present (per channel)
Power	95-250 volts AC, 47-63 Hz 7142: 9.5 Watts, 32.41 BTU/hr 7143: 8.5 Watts, 29.00 BTU/hr
Operating Temperature Range	0o to +55o C
Optical Connectors	ST
Operating Wavelength	Yes, Contact Sales
CWDM Capable	1310 nm
Physical Size	1.75 H x 16.75 W x 10 D (inches) 44 H x 425 W x 254 D (mm)
Weight	5lbs; 2.2kg
MTBF	34,000 Hours
Compatibility	Compatible with Fiberlink Matrix & Fiberlink 8200 Series. Not compatible with Fiberlink 7140 & 7141 products

Operating Loss Budget & Maximum Usable Distance*

Fiber Type	Loss(dB)	Distance (km)
Single Mode	0-17	48
Multimode (62.5u)	0-17	1.0
Multimode (50u)	0-17	1.3

*Distance specifications are only approximate and are not guaranteed.
Operating loss budget must not be exceeded.



UPDATED 05/20/2016
All specifications subject to change without notice. ©2016

Ordering Information

Part Number	Description	Fiber Cores
7142-S7-pp	Transmitter	1
7143-S7-pp	Receiver	1

Power Supply Suffix Codes (pp) for AC Line Cord:

NA - North America	AU - Australia	EU - Europe
JP - Japan	UK - United Kingdom	

Sales



T: +1 978-263-5775
Sales@artel.com
www.artel.com